



Interchangeable Truck Body System

WORKREADY SUBFRAME



SWITCHNGO.COM



Features

- High quality zinc prime & powder coated finish
- Engineered to maximize legal payload
- Prevents material build-up
- 10,000lb maximum load operation





FEATURES



Retractable Legs



Detachable 6" Ground Rollers



Simple Frame Bulkhead for Maximized Visibility



Expanded Steel Side-deck



D-ring Mounts

SEE THE POSSIBILITIES



Cold Mix / Patch



Sand Blaster / Compressor



Liquid Application



Material Sprayer



Seal / Asphalt Coating



Pavement Sweeper



Water or Liquid Tank



Hydroseeder



Fuel / Lube Unit



Pressure Washer



Sand / Salt Sprayer

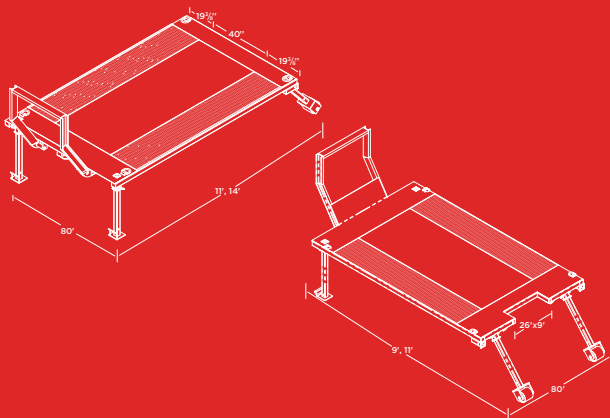


Pavement Marking & Striping



Sewer Vacuum / Cleaner

SPECIFICATIONS



9' | 11' | 12' | 14' LENGTHS

MAXIMUM LOAD LIMIT

10,000LBS

ATTACHMENT POINTS

4 D-RINGS RATED AT 4080LBS EACH LOCATED IN CORNERS

SIDE DECK FLOOR

19" WIDE EXPANDED METAL 3/4"

CENTER FLOOR

WIDE DIAMOND SHEET 1/8"

LEGS

DETACH AND STOW

9' & 11' LENGTHS ONLY

26" WIDE X 9" REAR CUTOUT

Specifications are subject to change without notice. For warranty information on this or any other Switch-N-Go® product please refer switchngo.com/warranty.

1.800.263.1262 | jjei.com



Joe Johnson Equipment

Subsidiary of Federal Signal Corporation