



Interchangeable Truck Body System

VAN BODY



SWITCHNGO.COM



Features

- Lightweight Design for Additional Payload
- Superior Corrosion Resistance
- Single Rear Roll-Up Door
- Fully Enclosed Unit for Cargo Protection
- Smooth Sides for Additional Advertising
- Available in 12', 13' & 15' lengths to be compatible with 11', 12' & 14' Switch-N-Go hoist systems.*

*Not compatible with S-Model



TRUCK BODY FEATURES



Lockable Rear Roll-Up Door



Interior E-Track

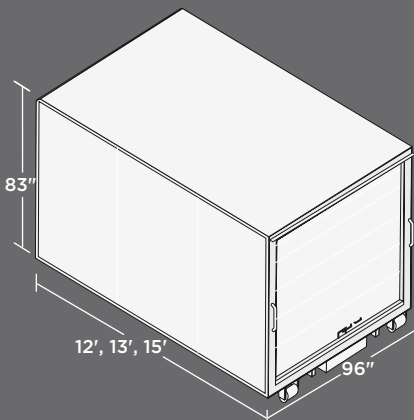


Grab Handles



Bolt-on Aluminum Pullout Ladder

SPECIFICATIONS



| | 12' | 13' | 15' |
|----------------------------|-----------------------------------|-----|-----|
| FLOOR | TONGUE & GROOVE EXTRUDED ALUMINUM | | |
| REAR ROLL-UP DOOR | 86"W x 77"H | | |
| INTERIOR SIDES | 1/2" PLYWOOD WITH E-TRACK | | |
| SIDE HEIGHT | 83" | | |
| CROSSMEMBERS | 12" ON CENTERS | | |
| D-RINGS | (4) ON FLOOR | | |
| HOIST COMPATIBILITY | 11' | 12' | 14' |

Specifications are subject to change without notice. For warranty information on this or any other Switch-N-Go® product please refer switchngo.com/warranty.

