



# MULCH MATE BODY



SWITCHN.GO.COM



## Features

- Designed for use with Mulch Mate® DS1000
- Retractable legs for off truck use and off season storage
- Curb Side Door for access to the front of the container
- High quality powder coating finish
- Available in 11' & 14' lengths

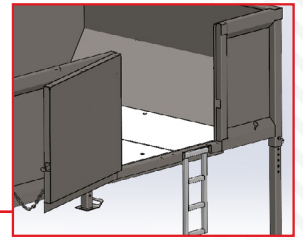
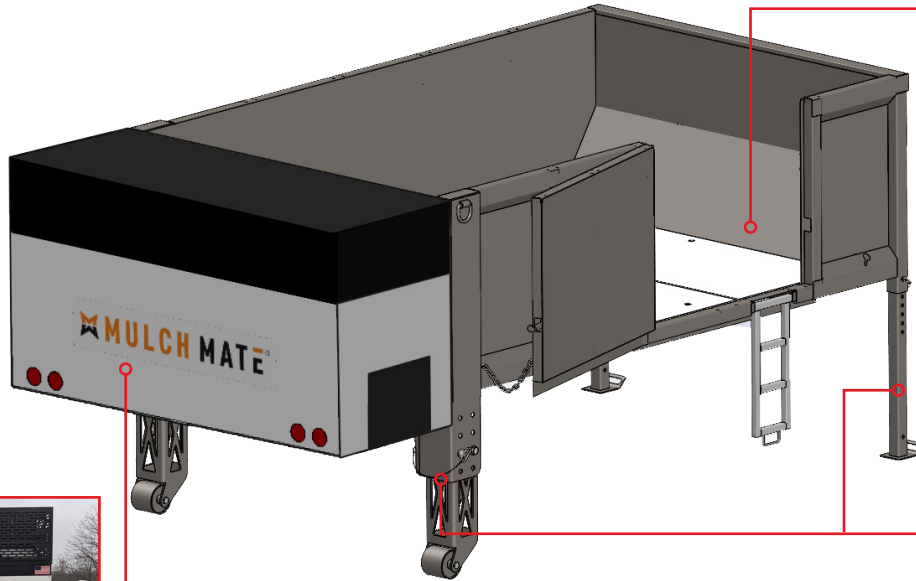




PARTNERSHIP WITH



# TRUCK BODY OPTIONS



Curbside Door

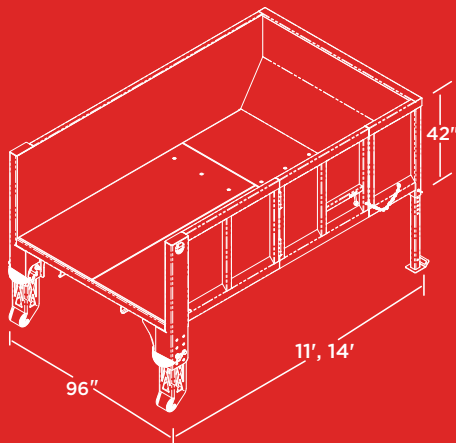


Retractable Legs



Compatible with Mulch Mate DS1000

## SPECIFICATIONS



	11'	14'
FLOOR	10 GA	
SIDES	12 GA	
SIDE HEIGHT	42"	
LEGS	(4) RETRACTABLE LEGS	
CROSSMEMBERS	FORMED & INTEGRATED FOR ADDED STRENGTH	
CURB SIDE DOOR	52"W x 42"H W/ LATCHING MECHANISM & SAFETY CHAIN	
REAR POSTS	1/4" THICK FOR ADDED STRENGTH	
HOIST COMPATIBILITY	11'	14'

Specifications are subject to change without notice. For warranty information on this or any other Switch-N-Go® product please refer [switchngo.com/warranty](http://switchngo.com/warranty).

