



Interchangeable Truck Body System

# DUMP BODY



SWITCHNGO.COM



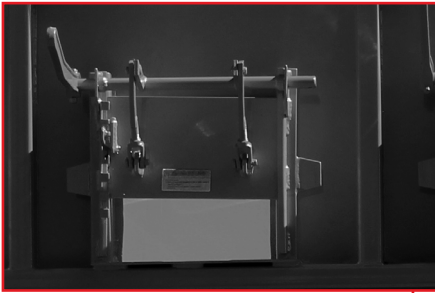
## Features

- High quality zinc prime & powder coated finish
- Ramp gate for drive-on convenience
- Accepts underbody salt spreader
- 12" side height & 24" tailgate height
- Optional extended board pockets
- Standard 6" steel dump body ground rollers
- Custom options available

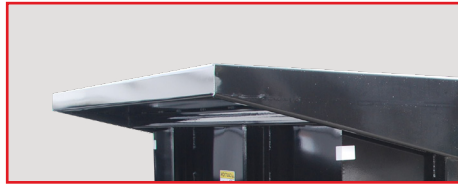
TO FIND A DEALER IN YOUR AREA



## TRUCK BODY OPTIONS



**Coal Chute**

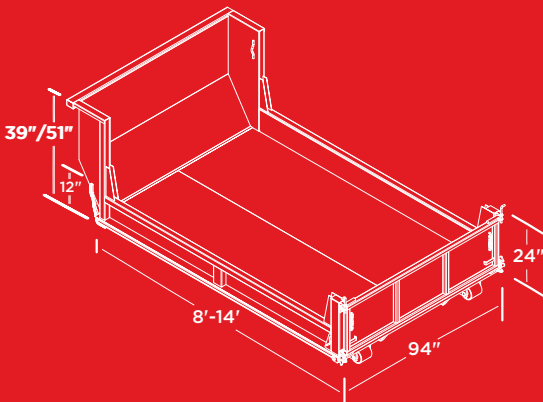


**18" Cab Shield**



**Welded D-rings**

## SPECIFICATIONS



|                     | STANDARD DUTY                       | HEAVY DUTY                          |
|---------------------|-------------------------------------|-------------------------------------|
| <b>FLOOR</b>        | 10 GA                               | 10 GA                               |
| <b>CROSSMEMBERS</b> | 3" STRUCTURAL CHANNEL 16" ON CENTER | 3" STRUCTURAL CHANNEL 16" ON CENTER |
| <b>SIDES</b>        | 12 GA SHEET                         |                                     |
| <b>TOP RAIL</b>     | 3" X 3" X 1/8" TUBING               |                                     |
| <b>BULKHEAD</b>     | INSIDE HEIGHT 39", 44", OR 51"      |                                     |
| <b>TAILGATE</b>     | 2" X 2" X 3/16" TUBING & 10GA SHEET |                                     |

Specifications are subject to change without notice. For warranty information on this or any other Switch-N-Go® product please refer [switchngo.com/warranty](http://switchngo.com/warranty).

